

Spring Driven Reels



RMS001

CAVOTEC RMS

Spring Driven Reels

The Cavotec Group

Cavotec is the name of a group of companies specialized in power supply technology for cranes and other industrial equipment. It is formed by 6 manufacturing companies located in Australia, France, Germany, Italy, Sweden, UK and U.S.A., as well as by 18 Cavotec sales companies which, together with a network of Distributors, serve more than 30 countries in five continents.

Each manufacturing company, no matter where it is located, aims at being a market leader in its field by providing innovative and reliable products to Group customers. Although they manufacture different products in different countries, they are globally supported and coordinated by the Cavotec Group in their product development and marketing activities.

Each sales company, and each distributor, has a policy aiming at better serving its local market with the full support of the Cavotec Group.

Our fields of activity are



**Mining,
tunnelling**



Steel Mills



Forestry



**Ports,
Terminals**



**Robots,
Automation**



Offshore



Constructions

Our aim is to be local everywhere

Great emphasis is put in providing the highest quality not only in the selected products, but also in service and backing to their customers. Our philosophy in fact is to be local everywhere.

RMS, a Cavotec company

Established in 1979, Cavotec RMS is a French manufacturing company, specialised in the development and production of spring driven hose and cable reels and other related equipment, which has recently become a member of the Cavotec Group.

RMS spring driven hose and cable reels described in the following pages, as well as other Cavotec quality products in the field of crane and power technology, are distributed around the world by the Cavotec sales companies and by a network of selected distributors. Cavotec S.A. and RMS Enrouleurs S.A. merged in January 2000 and formed the company Cavotec RMS S.A.

Contents

Ban series	page 3
Hose reels for water	page 4
Hose reels for compressed air .	page 5
Hose reels for hydraulic fluid ..	page 6
Cable reels for oxy-acetylen	page 7
Cable reels for earthing	page 8
Cable reels RM Series	page 9
Cable reels MC Series	pag 10
Cable reels for storage	page 11

Hose Reels BAN series



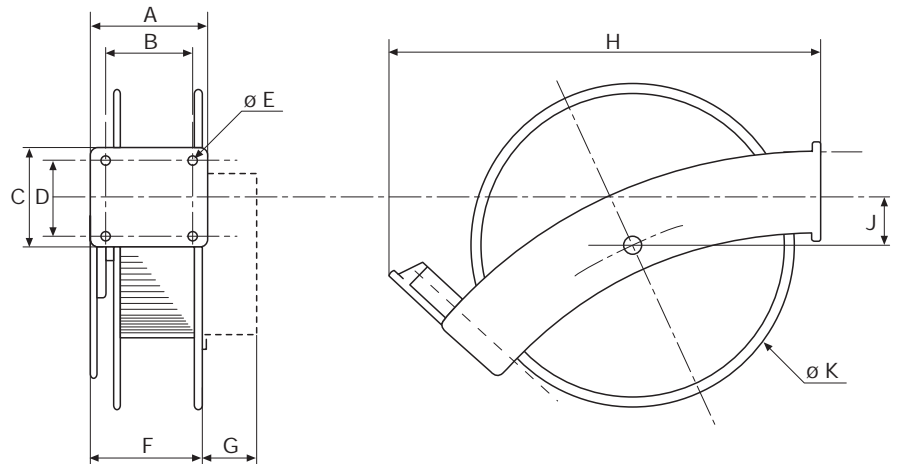
Cavotec RMS has developed the new BAN series of hose reels in order to supply products of the highest quality at the lowest price. All these reels are equipped with a PVC hose for compressed air or water (225 PSI or 15 Bars, up to 60°C) and the cable reels are equipped with HO7RNF 3 x 2,5 mm². If you need a reel with other characteristics, do not hesitate to contact Cavotec. Our sales and technical departments will offer the best solution for your installation.

Characteristics

- Robustly manufactured in steel
- Drum mounted on two sealed ball bearings
- Rotating hydraulic swivels are electroless nickel plated
- Locking device for manual operation
- Epoxy-Polyester painted
- Option: anti-corrosion plating

Fields of application

- Workshop
- Garage
- Petrol station
- Tanker vehicles



Type	A	B	C	D	E	F	G	H	J	K	length	hose I.D.	hose I.D.	pressure	weight
	mm	mm	mm	mm	mm	mm	mm	mm	mm	mm	m	mm	inch	bar/(psi)	kg
BAN 08/10	130	90	100	70	10	125	—	420	50	300	10	7,9	5/16	15(225)	10
BAN 08/15	150	110	120	90	12	135	—	520	70	400	15	7,9	5/16	15(225)	13
BAN 12/15	150	110	120	90	12	160	—	520	70	400	15	12,7	1/2	15(225)	15
BAN 3G 2,5 *	150	110	120	90	12	135	65	520	70	400	18	—	—	—	18

* Reel for cables 3 x 2,5 mm²

Hose Reels for water

RMS003



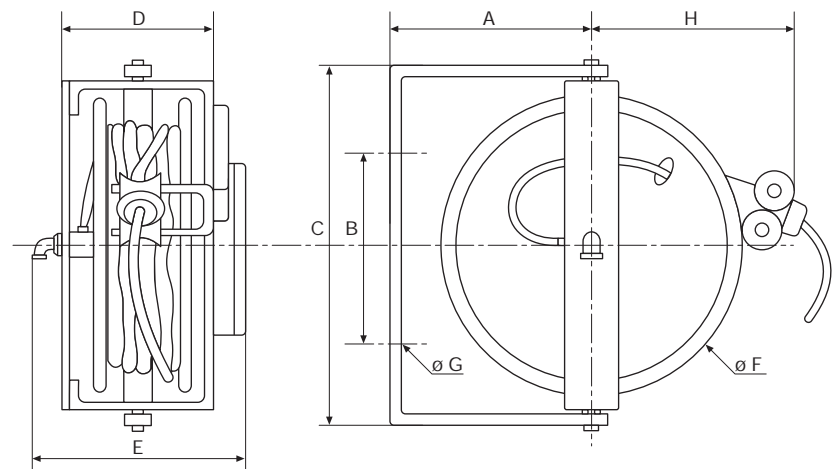
Cavotec RMS has developed this series of hose reels for water up to 60°C. All these reels are equipped with a reinforced hose for a pressure up to 3000 PSI (200 bars). If you do not need the orientation of 180°, other mounting brackets are available on request. If you need a reel with others characteristics, do not hesitate to contact Cavotec. Our sales and technical departments will offer the best solution for your installation.

Characteristics

- Robustly manufactured in steel
- Drum mounted on two sealed ball bearings
- Rotating swivels are in stainless steel, brass or steel electroless nickel plated.
- The mounting bracket ensure an orientation on 180°
- Locking device for manual operation
- Epoxy-Polyester painted
- Option: anti-corrosion plating

Fields of application

- Laboratories
- Industrial plants
- Food processing plants



Type	A	B	C	D	E	F	G	H	length	hose I.D.	hose I.D.	pressure	hose reinforced	weight
	mm	mm	mm	mm	mm	mm	mm	mm	m	mm	inch	bar/(psi)		kg
RM309	210	200	360	160	230	300	16	220	5	12,7	1/2	15(225)	Textile	12
RM409	235	300	460	165	245	400	16	280	10	12,7	1/2	15(225)	Textile	18
RM509	290	400	560	195	290	500	16	340	20	12,7	1/2	15(225)	Textile	30
RM4 HP	235	300	460	165	275	400	16	280	15	9,5	3/8	200(3000)	Metallic	18
RM4 LHP	235	300	460	215	325	400	16	280	25	9,5	3/8	200(3000)	Metallic	22

Hose Reels for compressed air

RMS004



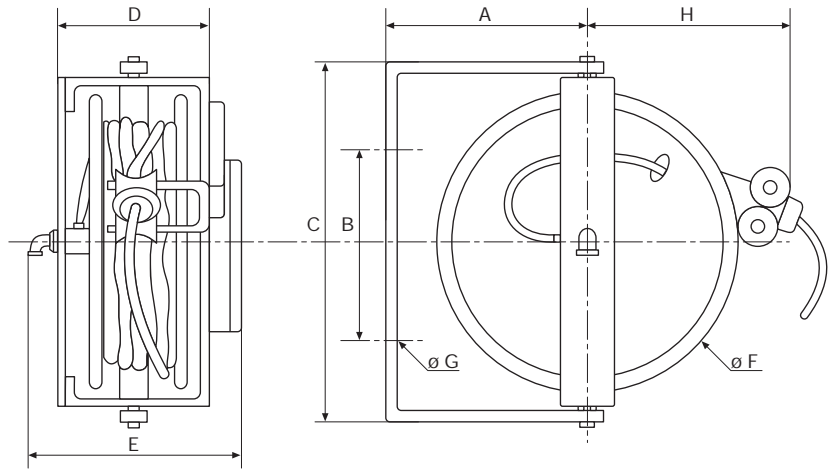
Cavotec RMS has developed this series of hose reels for compressed air. All these reels are equipped with a reinforced hose. If you do not need the orientation of 180°, other mounting brackets are available on request. If you need a reel with other characteristics, do not hesitate to contact Cavotec. Our sales and technical departments will offer the best solution for your installation.

Characteristics

- Robustly manufactured in steel
- Drum mounted on two sealed ball bearings
- Rotating swivels are in stainless steel-brass.
- The mounting bracket ensure an orientation on 180°
- Locking device for manual operation
- Epoxy-Polyester painted
- Option: anti-corrosion plating

Fields of application

- For tooling, inflating, moving machines



Type	A	B	C	D	E	F	G	H	length	hose I.D.	hose I.D.	hose reinforced	pressure	weight
	mm	mm	mm	mm	mm	mm	mm	mm	m	mm	inch		bar/(psi)	kg
RM310	210	200	360	160	230	300	16	220	10	6,4	1/4	Metallic	15(225)	12
RM420	235	300	460	165	245	400	16	280	20	6,4	1/4	Metallic	15(225)	18
RM430	235	300	460	185	275	400	16	280	30	6,4	1/4	Metallic	15(225)	25
RM310T	210	200	360	160	230	300	16	220	10	6,4	1/4	Textile	15(225)	12
RM420T	235	300	460	165	245	400	16	280	20	6,4	1/4	Textile	15(225)	18
RM430T	235	300	460	185	275	400	16	280	30	6,4	1/4	Textile	15(225)	25
RM415T	235	300	460	165	245	400	16	280	15	9,5	3/8	Textile	15(225)	19
RM425T	235	300	460	185	275	400	16	280	25	9,5	3/8	Textile	15(225)	26
RM412T	235	300	460	165	245	400	16	280	12	12,7	1/2	Textile	15(225)	19
RM520T	290	400	560	195	290	500	16	340	20	12,7	1/2	Textile	15(225)	30
RM515T	290	400	560	195	290	500	16	340	15	15,9	5/8	Textile	15(225)	30
RM620T	340	500	660	240	390	600	16	400	20	15,9	5/8	Textile	15(225)	35
RM615T	340	500	660	240	410	600	16	400	15	19	3/4	Textile	15(225)	35

Hose Reels for hydraulic fluid

RMS005



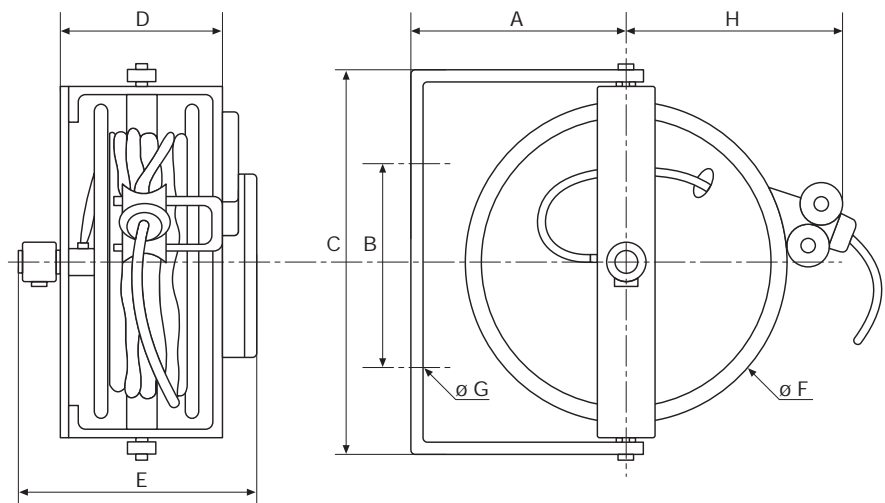
Cavotec RMS has developed this series of hose reels for hydraulic fluid. All these reels are equipped with a reinforced hose for a pressure up to 2250 PSI (150 bars). If you do not need the orientation of 180°, other mounting brackets are available on request. If you need a reel with other characteristics, do not hesitate to contact Cavotec. Our sales and technical departments will offer the best solution for your installation.

Characteristics

- Robustly manufactured in steel
- Drum mounted on two sealed ball bearings
- Rotating hydraulic swivels are electroless nickel plating
- The mounting bracket ensure an orientation on 180°
- Locking device for manual operation
- Epoxy-Polyester painted
- Option: anti-corrosion plating

Fields of application

- For hydraulic fluid under pressure
- Access platform vehicles



Type	A	B	C	D	E	F	G	H	length	hose I.D.	hose I.D.	pressure	hose reinforced	weight
	mm	mm	mm	mm	mm	mm	mm	mm	m	mm	inch	bar/(psi)		kg
RM4 FH	235	300	460	165	275	400	16	280	15	7,9	5/16	150(2250)	Metallic	24
RM4 LFH	235	300	460	215	325	400	16	280	25	7,9	5/16	150(2250)	Metallic	27

Twin Hose Reels for oxy-acetylen

RMS006



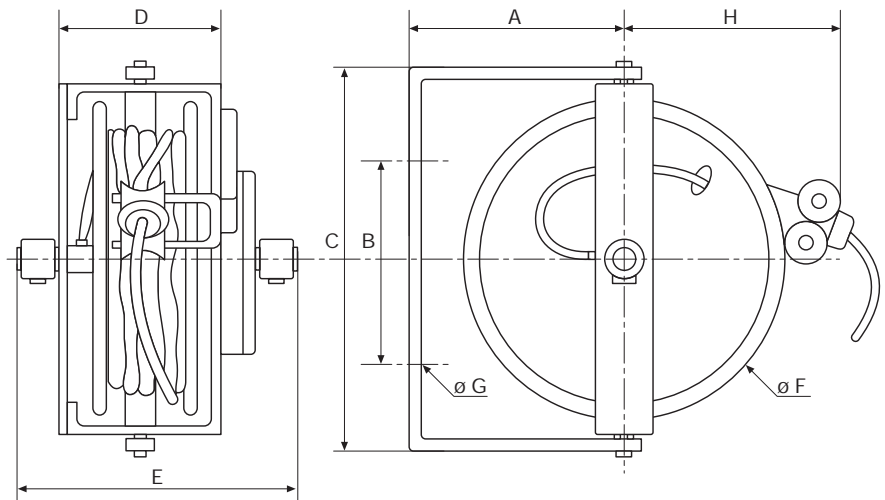
Cavotec RMS has developed this series of twin hose reels. All these reels are equipped with twin hose 10x17mm as standard but other cable can be used on request. If you do not need the orientation of 180°, other mounting brackets are available on request. If you need a reel with other characteristics, do not hesitate to contact Cavotec

Fields of application

- Garage
- Welding
- Workshop

Characteristics

- Robustly manufactured in steel
- Drum mounted on two sealed ball bearings
- Two swivels
- The mounting bracket ensure an orientation on 180° (OR series) or fixed bracket (F series)
- Locking device for manual operation
- Epoxy polyester painted
- Option: anti corrosion plating



Type	A	B	C	D	E	F	G	H	length	ID/OD	pressure	hose reinforced	weight
	mm	mm	mm	mm	mm	mm	mm	mm	m	mm	bar/(psi)		kg
RM4 DE	235	300	460	165	315	400	16	280	10	10x17	10 (150)	Textile	24
RM5 DE	290	400	560	195	345	500	16	340	20	10x17	10 (150)	Textile	30

Cable Reels for earthing

RMS007



Cavotec RMS has developed a series of cable reels for earthing. All these reels are equipped with a HO7VK Green/ Yellow cable and an alligator clip.

If you do not need the orientation of 180°, other mounting brackets are available on request.

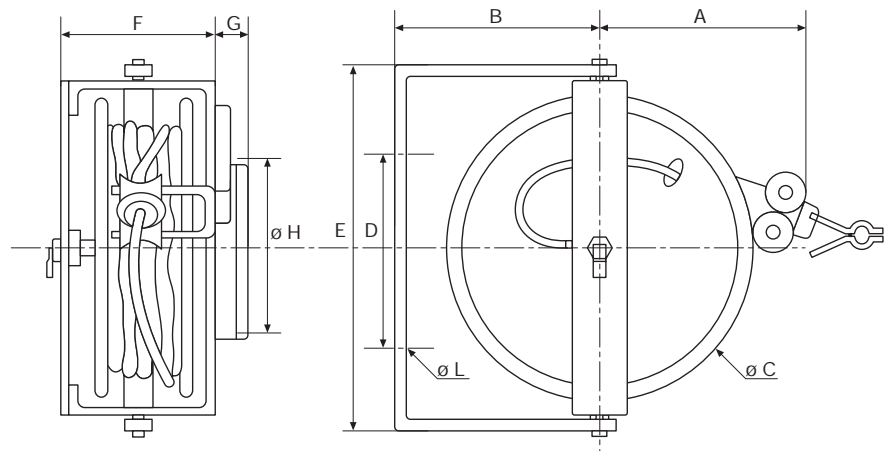
If you need a reel with other characteristics, do not hesitate to contact Cavotec. Our sales and technical departments will offer the best solution for your installation.

Fields of application

- Ensure equipotential link
- Protection against electrostatic loads
- Tanker vehicles, Chemical tanks

Characteristics

- Robustly manufactured in steel
- Drum mounted on two sealed ball bearings
- Slipping assembly: 1 ring/brush
- Cable HO7VK yellow/green equipped with crocodile clips
- The mounting bracket ensure an orientation on 180°
- Locking device for manual operation
- Epoxy-Polyester painted
- Option: anti-corrosion plating
- Ex-proof on request



	A	B	C	D	E	F	G	H	L	1x6mm ²	1x10mm ²	1x16mm ²	1x25mm ²	1x35mm ²	1x50mm ²
	mm	mm	mm	mm	mm	mm	mm	mm	mm	length m	length m	length m	length m	length m	length m
RM3 MT	220	210	300	200	360	140	30	200	16	15	15	15	15	15	—
RM3 DMT2	220	210	300	200	360	160	40	200	16	25	25	25	—	—	—
RM3 DMT3	220	210	300	200	360	160	40	200	16	30/40	30	30	—	—	—
RM4 MT	280	240	400	300	455	165	50	250	16	—	—	—	25	25	20
RM4 DMT2	280	240	400	300	455	180	50	250	16	—	—	40	35	—	—

Cable Reels

RM series

RMS008



RMS009

Cavotec RMS has developed this series of cable reels. All these reels are equipped with HO7RNF cable as standard but other cable can be used on request. If you do not need the orientation of 180°, other mounting brackets are available on request. If you need a reel with other characteristics, do not hesitate to contact Cavotec

Characteristics

- Robustly manufactured in steel
- Drum mounted on two sealed ball bearings
- Slipping assemblies
- The mounting bracket ensure an orientation on 180° (OR series) or fixed braket (F series)
- Locking device for manual operation
- Epoxy polyester painted
- Option : anti corrosion plating

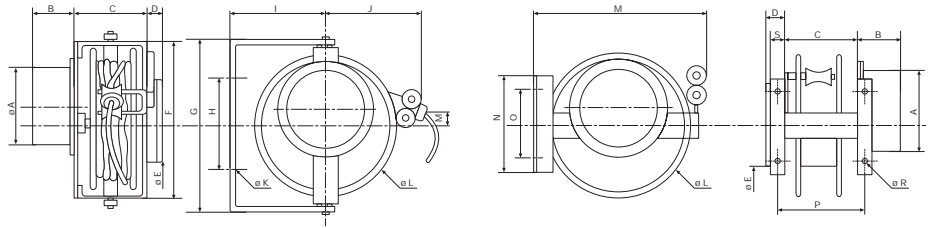
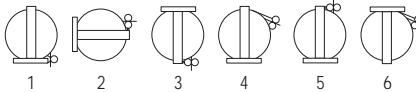
Fields of application

- Moving cranes
- Tooling
- Workshop

Orientable braket



Fix braket



Type	C	D	E	F	G	H	I	J	K	L	M	N	O	P	R	S
	mm	mm	mm	mm	mm	mm	mm	mm	mm	mm	mm	mm	mm	mm	mm	mm
RM3	140	40	200	340	360	200	210	220	16	300	390	200	150	168	10	30
RM4	165	50	250	430	455	300	240	280	16	400	480	250	200	210	12	40
RM4 D2	185	50	250	430	455	300	240	280	16	400	480	250	200	230	12	40
RM5	195	50	250	550	580	400	285	340	20	500	580	300	250	260	18	50
RM5 D3	195	105	250	550	580	400	285	340	20	500	580	300	250	260	12	50

Slipping assembly housing dimensions

Type	2B+T		3B+T		4B+T		6B+T		11B+T		18B+T		26B+T	
	A	B	A	B	A	B	A	B	A	B	A	B	A	B
	mm	mm	mm	mm	mm	mm	mm	mm	mm	mm	mm	mm	mm	mm
25 Amp.	—	—	—	—	—	—	200	175	200	285	250	210	250	350
40 Amp.	170	65	170	85	170	115	200	175	200	285	—	—	—	—
100 Amp.	200	90	200	110	200	155	—	—	—	—	—	—	—	—
150 Amp.	250	155	250	210	250	210	—	—	—	—	—	—	—	—

Reeling length

Type	3G1.5	3G2.5	3G4	3G6	3G10	3G16	4G1.5	4G2.5	4G4	4G6	4G10	4G16	5G1.5	5G2.5	5G4	5G6	5G10	5G16	7G1.5	7G2.5	12G1.5	12G2.5	
	m	m	m	m	m	m	m	m	m	m	m	m	m	m	m	m	m	m	m	m	m	m	m
Amp.	16	24	32	40	50	64	16	24	32	40	50	64	16	24	32	40	50	64	12	16	9	12	
RM3	14	14	10	7	—	—	14	13	7	6	—	—	13	9	6	—	—	—	6	—	—	—	
RM4 z	20	18	16	12	—	—	20	18	15	—	—	—	18	14	—	—	—	—	13	—	—	—	
RM4	25	25	22	20	10	8	25	25	22	16	10	—	25	22	16	10	—	—	20	15	10	8	
RM4 D2	35	30	25	—	—	—	30	30	25	—	—	—	30	25	—	—	—	—	—	—	—	—	
RM5	—	—	30	30	22	15	—	—	30	25	15	12	—	30	25	20	12	8	25	22	20	15	
RM5 D2	40	40	35	—	25	—	40	40	35	30	20	15	40	40	—	—	—	—	30	—	—	—	
RM5 D3	50	50	45	—	—	—	—	—	—	—	—	—	—	—	—	—	—	—	—	—	—	—	

Cable reels D1 or D2 are for manual operations only.

Cable Reels

MC series



RMS010

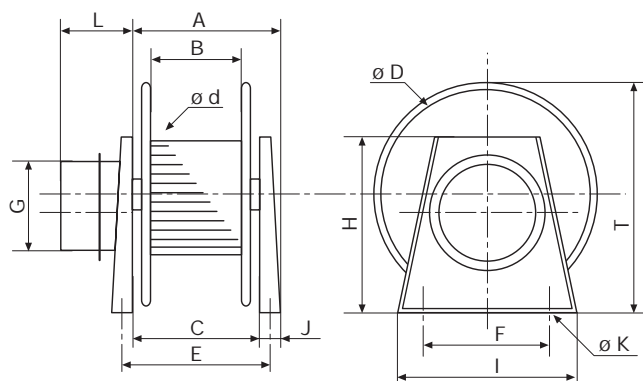
Cavotec RMS has developed this series of cable reels. All these reels are equipped with HO7RNF cable as standard but other cable can be used on request. Three mounting positions are available, other mounting brackets are available on request. If you need a reel with other characteristics, do not hesitate to contact Cavotec.

Characteristics

- Robustly manufactured in steel
- Drum mounted on two sealed ball bearings
- Slipping assemblies
- The mounting bracket 3 positions
- Locking device for manual operation
- Epoxy polyester painted
- Option: anti corrosion plating

Fields of application

- Moving cranes
- Tooling
- Workshop
- Trucks



Type	D	d	B	E	F	H	I	J	K	A	C	T
	mm	mm	mm	mm	mm	mm	mm	mm	mm	mm	mm	mm
RM4 MC	400	200	110	200	250	400	400	40	16	210	155	430
RM5 MC	500	250	210	330	250	400	400	40	16	325	282	530
RM6 MC	600	250	210	340	350	500	500	50	16	335	282	630
RM6 MCD	600	250	210	345	350	500	500	50	16	400	288	670

Slipping housing dimensions Power/control

Type	2B+T		3B+T		4B+T		6B+T		11B+T		18B+T		26B+T	
	G	L	G	L	G	L	G	L	G	L	G	L	G	L
	mm	mm	mm	mm	mm	mm	mm	mm	mm	mm	mm	mm	mm	mm
25 Amp.	—	—	—	—	—	—	200	175	200	280	250	210	250	320
40 Amp.	170	65	170	85	170	115	—	—	—	—	—	—	—	—
100 Amp.	200	90	200	110	200	155	—	—	—	—	—	—	—	—
150 Amp.	250	155	250	210	250	260	—	—	—	—	—	—	—	—

Reeling length with HO7RNF cables (other cables, please contact us)

Type	3G2.5	3G4	3G6	3G10	3G16	3G25	3G35	4G2.5	4G4	4G6	4G10	4G16	4G25	4G35	5G1.5	5G2.5	5G4	5G6	5G10	5G16	5G25	7G1.5
	m	m	m	m	m	m	m	m	m	m	m	m	m	m	m	m	m	m	m	m	m	m
Amp.	24	32	40	50	64	95	120	24	32	40	50	64	95	120	16	24	32	40	50	64	95	12
RM4 MC	25	25	20	16	10	—	—	25	20	16	10	—	—	—	25	20	16	16	—	—	—	20
RM5 MC	30	30	25	25	25	18	15	30	25	25	25	18	15	10	30	25	25	25	18	18	15	25
RM6 MC	—	—	30	30	30	28	25	—	30	30	30	28	25	20	—	30	30	30	28	28	25	30
RM6 MCD	60	60	50	40	—	—	—	60	50	45	40	—	—	—	60	50	45	40	—	—	—	60

Type	7G2.5	12G1.5	12G2.5	19G1.5	19G2.5	27G1.5	27G2.5
	m	m	m	m	m	m	m
Amp.	16	9	12	7	10	5	8
RM4 MC	16	16	10	10	—	—	—
RM5 MC	25	25	25	25	18	18	15
RM6 MC	30	30	30	30	28	28	25
RM6 MCD	45	45	40	40	—	—	—

Cable Reels for storage



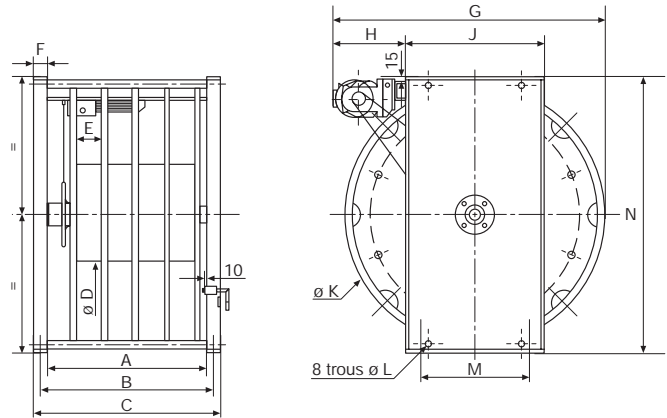
Cavotec RMS has developed this series of cable reels. All these reels are without cable as standard but cable and connectors can be used on request. If you need a reel with other characteristics, do not hesitate to contact Cavotec.

Fields of application

- Trucks & Trailers for moving power supply units

Characteristics

- Robustly manufactured in steel
- Four to five drums mounted on sealed ball bearings
- No slipping assemblies
- Motor 230-400 V 50 Hz-0,125 kW
- Locking device for the transportation
- Epoxy polyester painted
- Option: anti corrosion plating



Type	A	B	C	D	E	F	G	H	J	K	L	M	N	weight
	mm	mm	mm	mm	mm	mm	mm	mm	mm	mm	mm	mm	mm	Kg
MJ 500M	580	630	660	200	110	40	705	255	300	500	12	200	600	90
MJ 600M	560	610	640	250	105	40	755	255	400	600	14	300	700	100
MJ 800M/90	500	570	620	350	90	60	905	255	500	800	16	400	890	170
MJ800M/140	700	770	820	350	140	60	905	255	500	800	16	400	890	175

Reeling length for H07RNF cable

Type	1x35 mm ²	1x50 mm ²	1x70 mm ²	1x95 mm ²	1x120 mm ²	1x150 mm ²	1x185 mm ²	1x240 mm ²
	m	m	m	m	m	m	m	m
MJ 500M	30	30	20	20	—	—	—	—
MJ 600M	40	40	30	30	—	—	—	—
MJ 800M/90	—	—	—	—	30	30	20	20
MJ800M/140	—	—	—	—	40	40	30	30